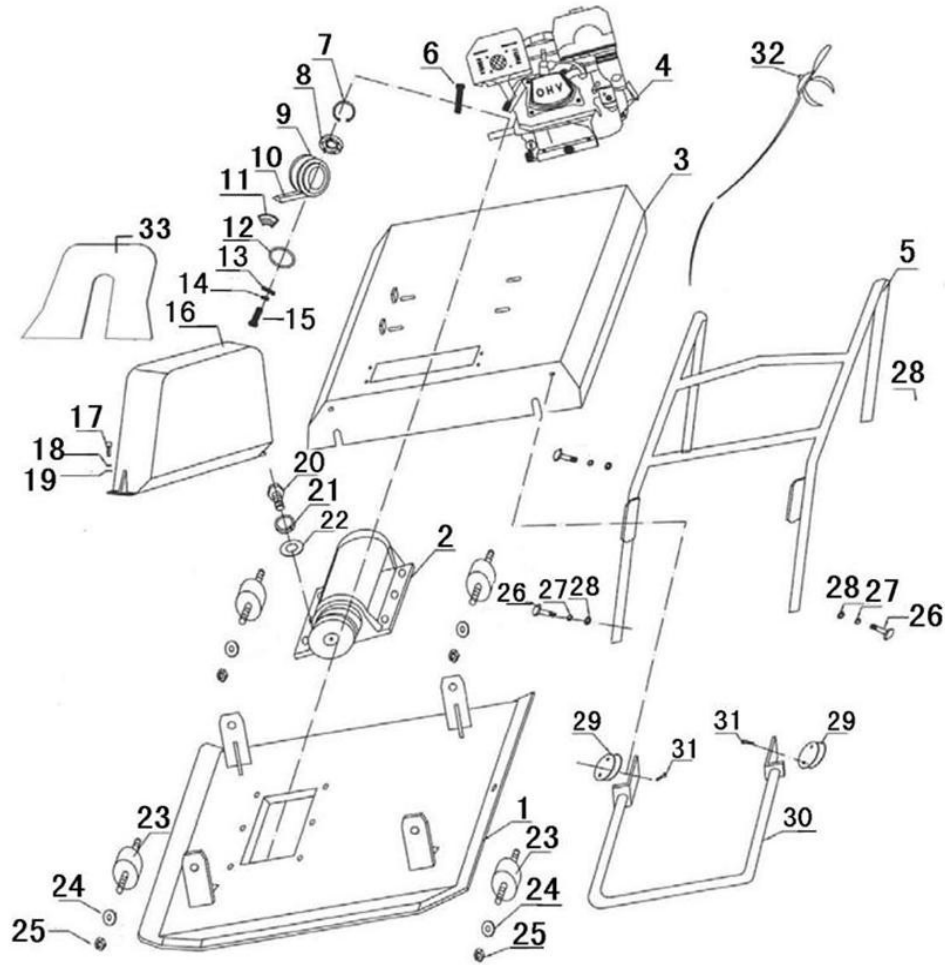


Major components		
PART NO.	DESCRIPTION	Price Euro without VAT
BZPC100-001	Vibrating plate	
BZPC100-002	Vibrator assembly	
BZPC100-003	Based	
BZPC100-005	Frame	
BZPC100-007	Clamp spring	
BZPC100-008	Bearing6206	
BZPC100-009	Pulley	
BZPC100-010	V-belt	
BZPC100-011	Centri. Block(weight)	
BZPC100-012	O spring	
BZPC100-016	Belt cover	
BZPC100-023	Shock absorber	
BZPC100-029	Shock absorber	
BZPC100-030	Handle	
BZPC100-032	Throttle leverassy	
	Throttle lever	
	Dragline	
BZPC100-033	Belt cover, in	
	Clutch assembly	



<b>Major components of vibrator assy</b>		
<b>PART NO.</b>	<b>DESCRIPTION</b>	<b>Price Euro without VAT</b>
BZPC100-002-01	paper cushion	
BZPC100-002-02	Cover seal, vib.	
BZPC100-002-03	Oil seal50*35*10	
BZPC100-002-04	Washer $\varnothing$ 8	
BZPC100-002-05	Spring washer $\varnothing$ 8	
BZPC100-002-06	Hexagonal bolt M8*25	
BZPC100-002-07	Pulley, driven	
BZPC100-002-08	Washer $\varnothing$ 10	
BZPC100-002-09	Spring washer $\varnothing$ 10	
BZPC100-002-10	Air vent screw M10*30	
BZPC100-002-11	Bearing 6309	
BZPC100-002-12	Flat key 8*20	
BZPC100-002-13	Ecc. Rotary shaft	
BZPC100-002-14	Hexagonal bolt M16*40	
BZPC100-002-15	Spring washer $\varnothing$ 16	
BZPC100-002-16	Washer $\varnothing$ 16	
BZPC100-002-17	Al packing	
BZPC100-002-18	Oil plug	
BZPC100-002-19	Vibrating case	
BZPC100-002-20	Bearing cover/pulley	

